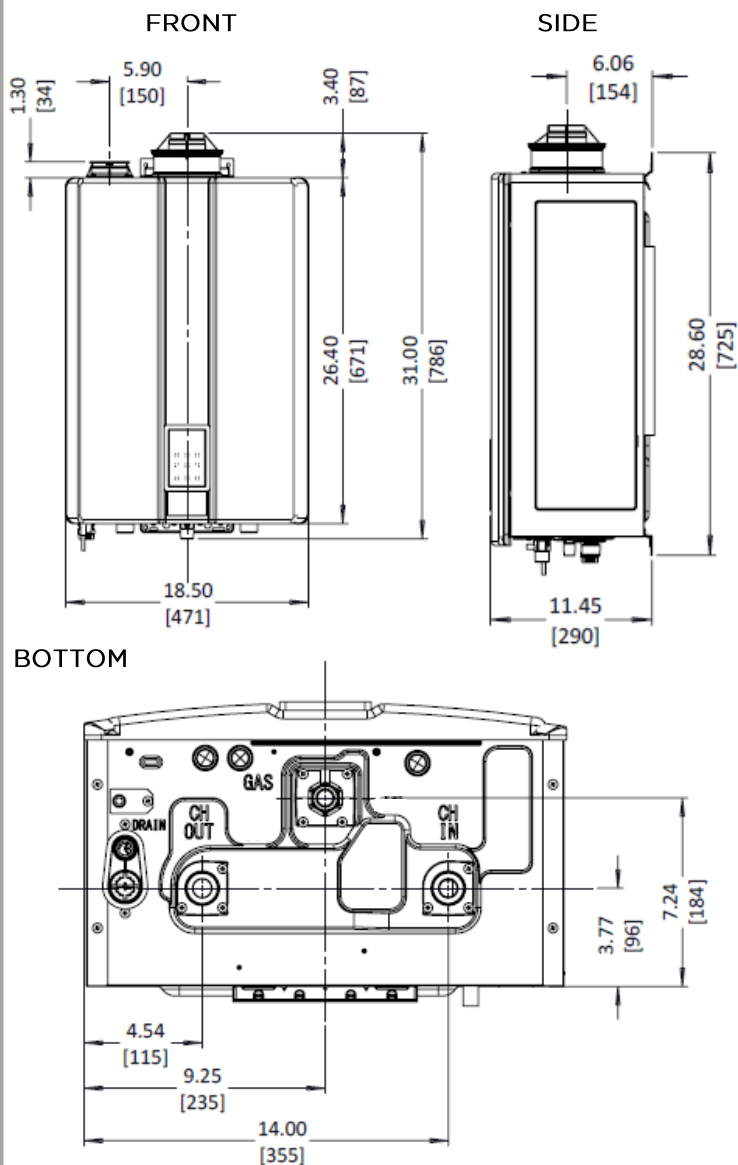




DIMENSIONS

Measurements: in. (mm)



CONDENSING WALL-MOUNTED, GAS-FIRED HEAT-ONLY BOILER

Models	i060S, i090S, i120S, i150S
Appliance	Wall-Mounted, Gas-Fired Heat-Only Boiler
Installation	Indoor
Gas Type	Natural Gas (or Propane with included field conversion kit)

- Standard Features**
- Outdoor Reset Control System with Sensor
 - Modulating Stainless Steel Mesh Burner
 - Stainless Steel Water Tube Heat Exchanger
 - Direct Vent Sealed Combustion
 - Approved for Room Air and Closet Installations

- Included with Boiler Purchase**
- Propane Field Conversion Kit
 - Wall Mounting Bracket
 - CH Pressure Relief Valve (30 PSI)
 - Outdoor Temperature Sensor
 - Integrated Vent Adapter for 2 in. PVC, PP and 3 in. x 5 in. Concentric Venting
 - Documentation: Installation and Operation Manual, User Manual, and Technical Data Sheet

Accessories Primary-Secondary Heating Kit (PN: 807000213), Condensate Neutralizer (PN: 804000074), and ScaleCutter (PN: 103000038)

- Venting Options**
- Direct Vent (Concentric and Twin Pipe)
 - Room Air
 - Ubbink Flex Vent
 - Materials: Polypropylene, Stainless Steel, PVC, CPVC

Refer to the "Rinnai I-Series Boiler Installation and Operation Manual" for approved venting.

Maximum Equivalent Vent Lengths

Concentric, Twin Pipe, and Room Air:

Vent Sizes	2 in. PVC	3 in. PVC
	<ul style="list-style-type: none"> • 2 in. (60 mm) PP • 2 in. x 4 in. Concentric 	<ul style="list-style-type: none"> • 3 in. (80 mm) PP • 3 in. x 5 in. Concentric
Maximum Vent Lengths	65 ft (20 m)	150 ft (46 m)

Ubbink Flex:

Vent Sizes	2 in. PP
Maximum Vent Lengths	50 ft (15 m)

45° elbow equivalent to 3 ft (1 m). 90° elbow equivalent to 6 ft (2 m).



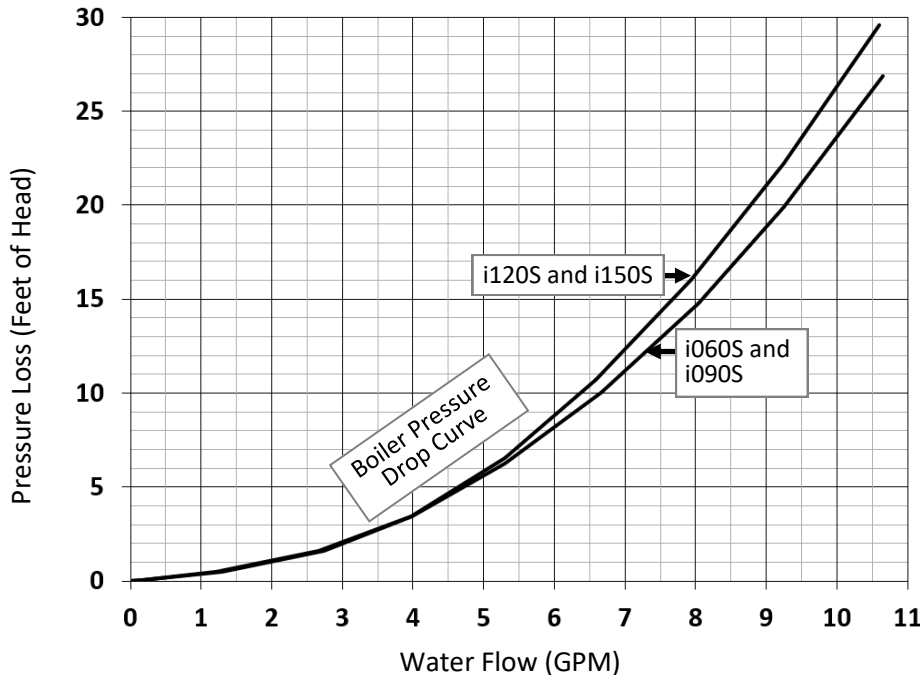
CERTIFIED TO ANSI Z21.13 – CSA 4.9

TECHNICAL SPECIFICATIONS

Model		i060S	i090S	i120S	i150S
Dimensions - w, h, d	Unit	18.5 in. x 26.4 in. x 10.9 in. (471 mm x 675 mm x 276 mm)			
	Shipping	21.7 in. x 33.5 in. x 14.6 in. (552 mm x 852 mm x 370 mm)			
Weight	Unit	59.2 lb (27 kg)		62.0 lb (28 kg)	
	Shipping	66.1 lb (30 kg)		68.3 lb (31 kg)	
Appliance Type		Wall-Mounted, Gas-Fired Heat-Only Boiler			
Installation Type		Indoor			
Ignition System		Direct Electronic Ignition			
Heat Exchanger Surface Area		9.3 sq ft		10.9 sq ft	
Gas Consumption (Btu/hr)	Minimum	15,000			
	Maximum	60,000	90,000	120,000	150,000
Heating Capacity		57,000	84,000	112,000	138,000
Temperature Setting (CH)		(Min - Max) 104°F - 180°F (40°C - 82°C)			
Water Content		0.75 gal		0.88 gal	
Water Supply Pressure	CH	Minimum: 13 PSI (90 kPa) Maximum: 45 PSI (310 kPa) Recommended: 17 - 26 PSI (117 - 180 kPa)			
	Pressure Relief Valve	30 PSI (207 kPa)			
Sound Level		37 dB(A)	41 dB(A)	40 dB(A)	42 dB(A)
Electrical Data	Normal (CH)	36 W	50 W	50 W	50 W
	Standby	4 W			
	Max Current	6 Amps			
	Fuse	10 Amps x 2			
Heating Turndown Ratio (NG and Propane)		4.0:1	6.0:1	8.0:1	10.0:1
AFUE		95.1	95.9	95.5	96.0
Gas Supply Pressure ¹	NG	3.5 in. - 10.5 in. W.C. (0.87 - 2.61 kPa)			
	Propane	8.0 in. - 13.5 in. W.C. (1.99 - 3.36 kPa)			
Electric Connections		AC 120 Volts, 60 Hz			
Certifications		ANSI Z21.13, CSA 4.9, ASME			

¹ Maximum gas supply pressure must not exceed the value specified by the manufacturer.

PRESSURE DROP CURVE AND WATER FLOW CURVE



Note:
External boiler pump required.

FEATURES

■ Faster, Easier Installation

- Compact & lightweight design
- Convenient mounting bracket
- NPT threads for connection points
- More flexible venting options
- Simple control setup and commissioning

■ Clearances

- Top: 2 in. (51 mm)*
- Bottom: 12 in. (305 mm)
- Front: 6 in. (152 mm)**
- Back: 0 in.
- Sides: 2 in. (51 mm)
- Vent Adapter and Components: 0 in.

* 6 in. (152 mm) for closet installations.

** Clearance for servicing is 24 in. (610 mm) in front of boiler.

■ Warranty

Residential:

- Heat Exchanger: 12 Years
- All Other Parts/Components: 2 Years
- Labor: 1 Year

Commercial:

- Heat Exchanger: 5 Years
- All Other Parts/Components: 2 Years
- Labor: 1 Year

■ Important

- Boiler is required to be installed with primary/secondary hydraulic separation.

CH = Central Heating
PRV = Pressure Relief Valve

Rinnai America Corporation
103 International Drive, Peachtree City, GA 30269
1-800-621-9419
rinnai.us
©2019 Rinnai America Corporation. Rinnai America Corporation continually updates materials, and as such, content is subject to change without notice. Local, state, provincial, federal and national fuel gas codes must be adhered to prior to and upon installation.